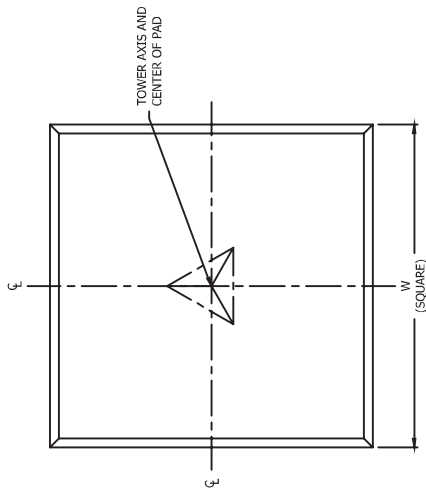


FILE NO.

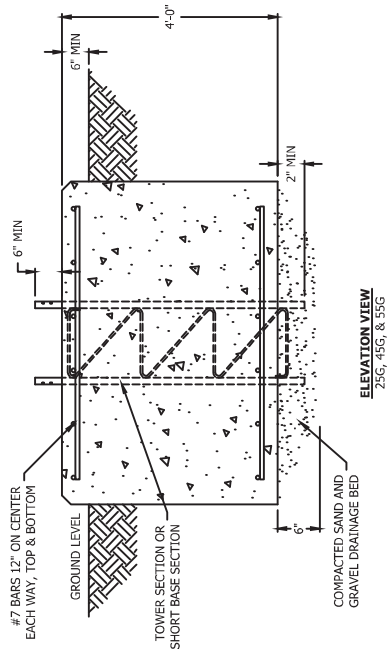
REVISIONS		DWGN	CHK	APP
REV	DESCRIPTION			
2		JHY	JDM	HA
DATE: 3/01/2013				

FOUNDATION DETAILS				
TOWER NUMBER	OVER-TURNING MOMENT (FT-LBS)	TOTAL SHEAR (LBS)	MAT WIDTH "W"	CONCRETE VOLUME (CU. YDS.)
25G	7000	500	4'-0"	2.4
45G	12300	1000	5'-3"	4.1
55G	22100	1600	6'-0"	5.3
45GSR/65G	53100	3500	7'-9"	8.9

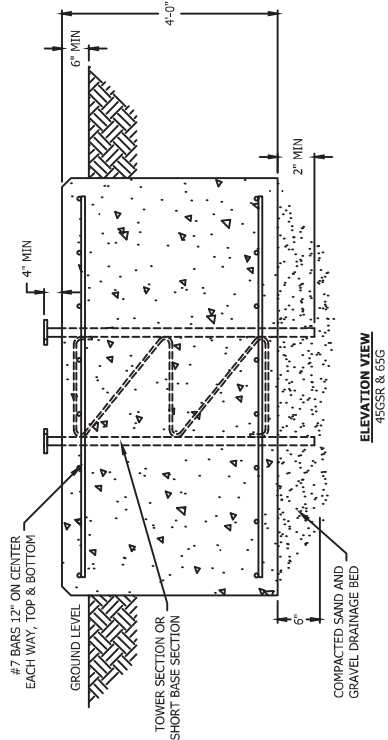
- GENERAL NOTES:**
- FOR STANDARD FOUNDATION NOTES, SEE DRAWING NUMBER B090548.
 - THE SHORT BASE OF 45GSR TOWER ONLY MAY NOT PROJECT BELOW FOUNDATION BOTTOM FOR DRAINAGE.
 - FOR 25G, 45G, 55G, AND 65G TOWER ASSEMBLY DRAWINGS AND MAXIMUM TOWER HEIGHTS, REFER TO DRAWING NUMBER 25GSS, 45GSS, 55GSS, AND 65GSS, RESPECTIVELY.



PLAN VIEW



ELEVATION VIEW
25G, 45G, & 55G



ELEVATION VIEW
45GSR & 65G

ROHN
PRODUCTS
PO BOX 5999
PEORIA, IL 61601-5999
TOLL FREE 800-727-ROHN
OUR OFFICES ARE LOCATED THROUGHOUT THE UNITED STATES AND CANADA.

FOUNDATION
MAT FND FOR SS G SERIES TOWERS

DWGN:	FAD	CHKD:	HA	DATE:	10/27/2010	
ENGR:				SHEET #:	1 OF 1	
PROJ. ENGR:		PROJ. MNGR:				
DRAWING NO.:	DWG-0128				REV:	2